

MODEL: STOCK CHASER
TYPE: 3 WHEEL ELECTRIC POWERED PARTS PICKER
MODEL YEAR: 2010
Part No.: 33601



PRODUCT SPECIFICATION

CONFIGURATION HIGHLIGHTS

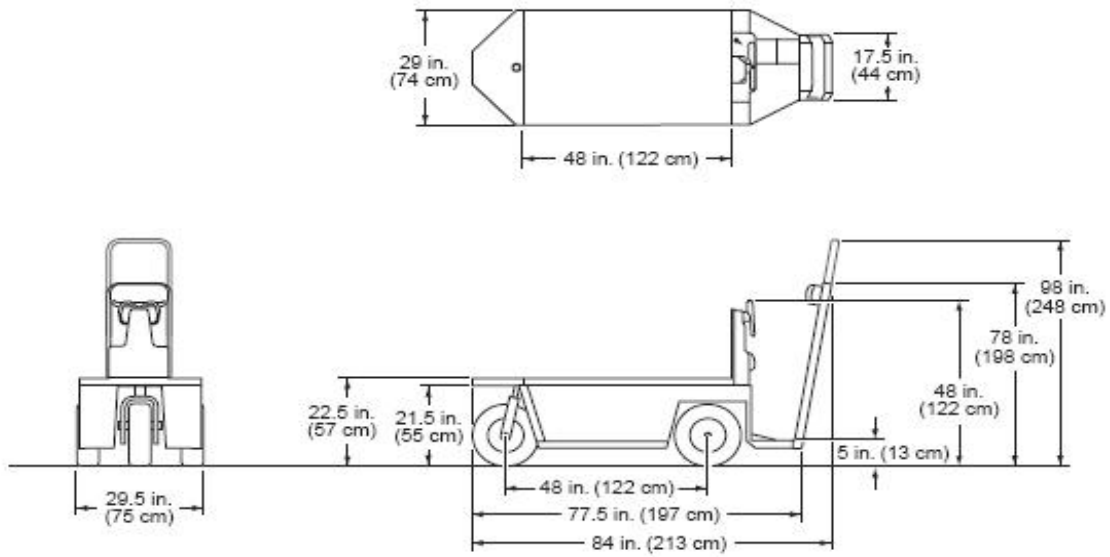
- Speed Control:** Solid State 275 amp controller. Potentiometer throttle sensor
- Dash mounted direction selector switch (Forward-Neutral-Reverse)
 - Four, Six Volt Deep Cycle
- Battery Charger:** 24 Volt On-Board. Fully line compensating. Underwriters Laboratories (U.L.) Listed, (C.S.A. Certified)
- Input: 110 – 120 Volt, 60 Hz, 8.5 amp
 - Output: 24 Volt at 25 amps. DC
- Motor:** 24 Volt DC series wound, brazed armature, solid copper armature. 1.5 hp (1.1 kW) @ 2800 rpm, 4.3 hp (3.2 kW) @ 1200 rpm
- Drive Train:** Direct motor shaft connected to transaxle pinion shaft
- Electrical System:** 24 Volt DC, four, 6 volt deep cycle batteries (115 minute minimum, 225 amp-hour @ 20 hr. discharge rate)
- Transaxle:** Differential with helical gears
- Brakes:** Dual rear wheel mechanical drum brakes. Automatic park brake
- Convenience:** 4 & 6 rung ladders available
- Towing Capacity:** Normal Draw Bar Pull 100 lb (45 kg). Maximum Draw Bar Pull (at stall) 840 lb (380 kg)

PRODUCT OVERVIEW

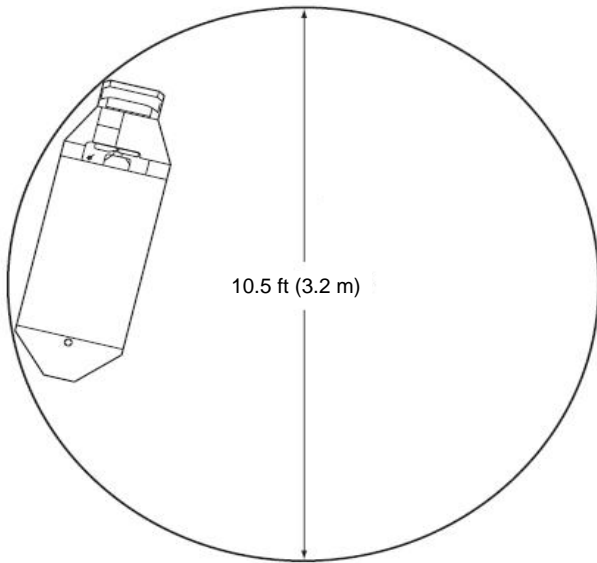
Dimensions		Performance	
Overall Length	84.0 in (213 cm)	Capacity	1 Person (Standing)
Overall Width	29.5 in (75 cm)	Dry Weight	490.0 lb (225 kg) (Without Batteries)
Overall Height (No Ladder)	48.0 in (122 cm)	Curb Weight	740.0 lb (335 kg)
Overall Height (4 Step Ladder)	78.0 in (198 cm)	Cargo Deck Load Capacity	750.0 lb (340 kg)
Overall Height (6 Step Ladder)	97.0 in (246 cm)	Vehicle load capacity	1000.0 lb (450 kg)
Wheel Base	48.0 in (122 cm)	Outside Clearance Circle	10.5 ft (3.2 m)
Front Wheel Track	N/A	Intersecting Aisle Clearance	56.0 in (142 cm)
Rear Wheel Track	24.75 in (63 cm)	Speed (Level Ground)	9 mph max (14 kph max)
Gnd Clearance @ Differential	4.0 in (10 cm)	Towing Capacity (Draw Bar)	100 lb (45 kg) Normal. 840 lb (380 kg) at stall
Cargo Deck Width	29.0 in (74 cm)	Steering & Suspension	
Cargo Deck Length	48.0 in (122 cm)	Steering	Direct Chain & Linkage
Cargo Deck Material	Plywood	Front Suspension	Solid
Vehicle Power		Rear Suspension	Solid
Power Source	24 Volts DC	Service Brake	Rear Wheel Mechanical Drum
Motor Type	Series Wound	Parking Brake	Automatic
Horsepower (kW)	1.5 hp (1.1 kW) @ 2800 rpm	Front Tire	4.80 x 8 (Load Range B)
Electrical System	24 Volt	Rear Tires	4.80 x 8 (Load Range B)
Batteries (Qty, Type)	Four, 6 Volt Deep Cycle	Body & Chassis	
Key or Pedal Start	Pedal Start	Frame & Body	Welded steel with DuraShield™ powder coat
Battery Charger	24 V, 120 VAC On-Board, UL & CSA	Body & Finish	Diamond plate pattern. Polyester primer/Acrylic
Speed Controller	Solid State 275 Amp Rated	Standard Color	Yellow
Drive Train	Motor Shaft Direct Drive		
Transaxle	Differential with helical gears		
Gear Selection	Dash Mounted Forward-Neutral-Reverse		
Rear Axle Ratio	14.78:1		

Some items shown may be optional equipment

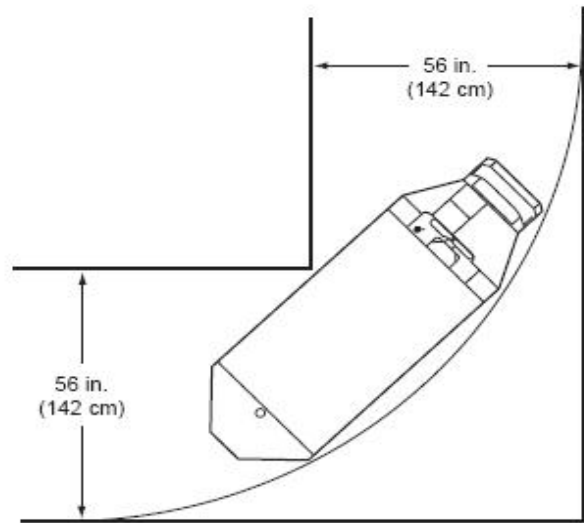
DIMENSIONS



CLEARANCE DIAGRAMS



TURNING CLEARANCE DIAMETER



INTERSECTING AISLE CLEARANCE